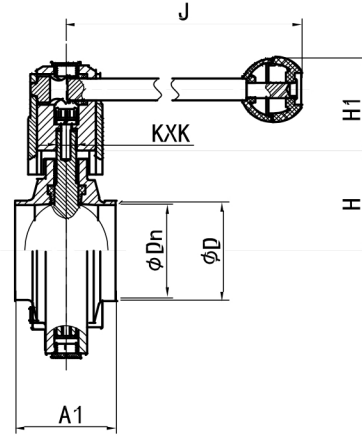
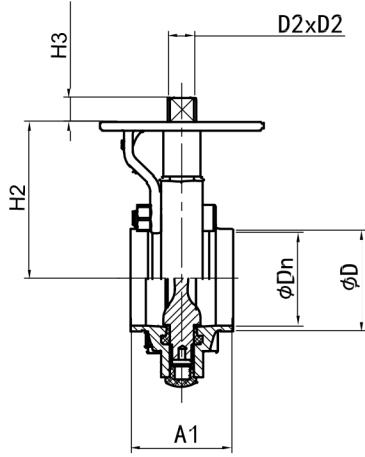


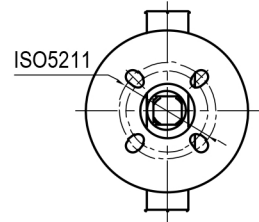
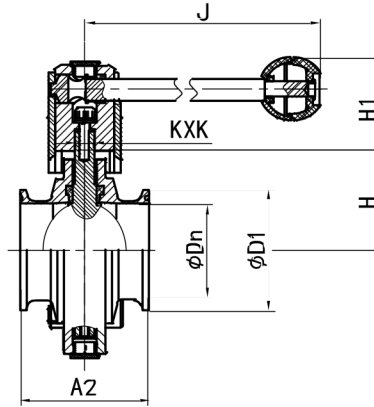
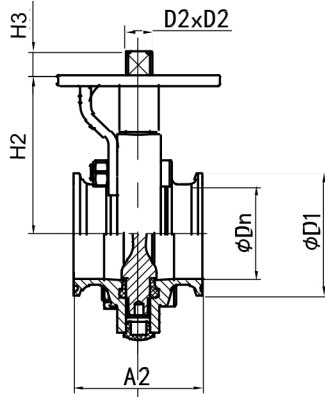
V118 Series Hygienic Butterfly Valves (DIN Type)

DIN Weld End Type



Pneumatic Actuator Operated Butterfly Valve

DIN Clamp End Type



Electric Actuator Operated Butterfly Valve

Dimensions(mm)

All dimensions in mm

Size	DN	D1	D2	J	H	H1	H2	H3	A1	A2	ISO5211
DN10	10	13	11	126	40	43.5	68.4	12.6	50	66	F04-F05
DN15	15	18	11	126	40	43.5	68.5	12.6	50	66	F04-F05
DN20	19	22	11	126	40	43.5	68.4	12.6	50	66	F04-F05
DN25	25	28	11	126	40	43.5	69	12	50	66	F04-F05
DN32	31	34	11	126	44.5	43.5	73.5	12.1	50	66	F04-F05
DN40	37	40	14	126	46.5	43.5	73.5	14	50	70	F04-F05
DN50	49	52	14	133	54.5	47.5	82.9	12.8	52	76	F04-F05
DN65	66	70	14	144	64	47.5	90.6	14	56	80	F04-F05
DN80	81	85	14	160	70.5	50	100	14.6	60	84	F04-F05
DN100	100	104	17	160	81	50	109.7	19	64	104	F04-F05
DN125	125	129	17	220	94.5	52.5	158.6	19	80	122	F07
DN150	150	154	17	220	110	52.5	174	19	90	146	F07
DN200	200	204	22	360	145	52.5	208	20	90	166	F07
DN250	250	254	22	360	174	52.5	236.7	20	90	167	F07
DN300	300	304	22	360	174	52.5	236.7	20	90	146	F07